

PROFILE DAMPERS BASICSTOP

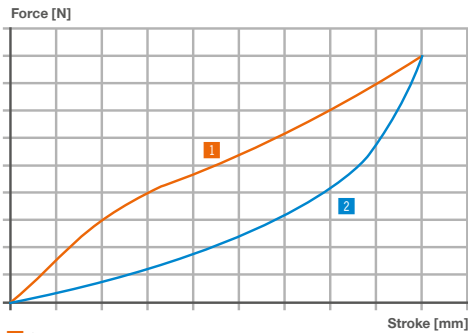
SERIES RADIAL STANDARD

▶ PRODUCT SPECIFICATIONS



▶ Design	Radial
▶ Shore hardness, hard	55D
▶ Shore hardness, medium	40D
▶ Damping proportion Hard	up to 60 %
▶ Damping proportion Medium	up to 50 %
▶ Impact speed	0 ... 10 [m/s]
▶ Permitted temperature range	-50 ... +90 [°C]
▶ Angle of Impact max.	30 [°]
▶ PWIS-free	Yes
▶ RoHS compliant	Yes
▶ REACH compliant	Yes

▶ TECHNICAL DATA



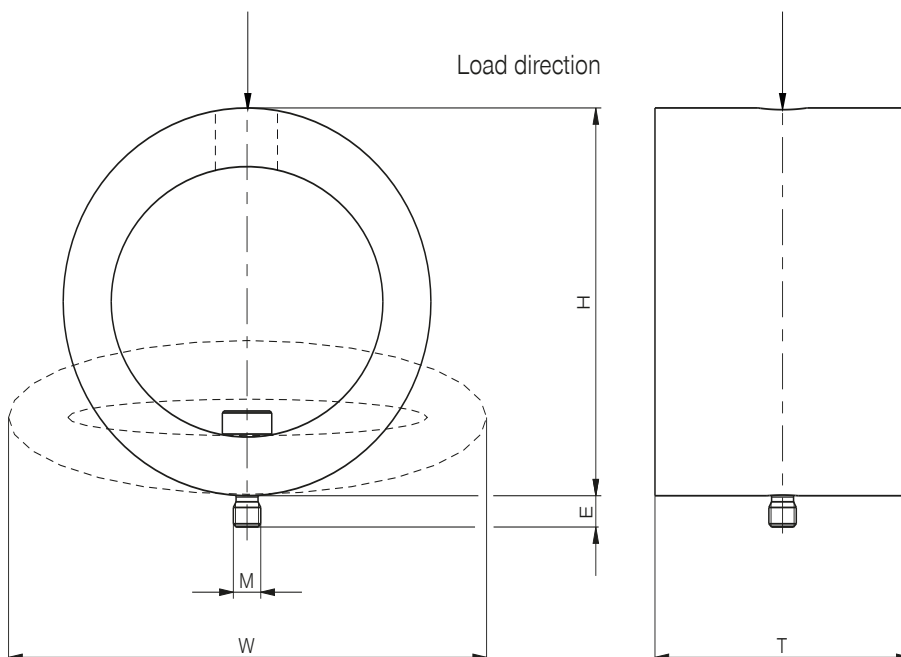
Order No.

TPC-M5-R
TPC-M6-R
TPC-M8-R

▶ Installation instructions

Thread M	Wrench size [mm]	Max. tightening torque [Nm]	Weight [g]
M5	3	4.5	3
M6	5	7	6
M8	6	17	16

The profile dampers must completely contact the underside.
The screws are included in the scope of delivery of the respective BasicStop structural damper. These can also be ordered individually.



▶ TECHNICAL DATA

▶ Radial Standard

	Order No.	Energy absorption max.			Stroke max.	Height H	Width W			Depth T	Screw-in depth max. E	Thread M	Weight (incl. screw)
		Continuous operation		Emergency stop operation			Stroke=0	Stroke=0	Stroke=max				
		per stroke	per hour										
		[J]	[J/h]	[J]	[mm]	[mm]	[mm]	[mm]	[mm]	[mm]		[g]	
HARD	TPC-RS23X13H	2.7	81	5.7	15	23	30	38	13	5	M5	4	
	TPC-RS30X19H	6	180	18	19	30	39	50	19	5	M5	11	
	TPC-RS36X20H	8.7	261	24	23	36	45	58	20	5	M5	16	
	TPC-RS42X34H	11.7	351	20	32	42	52	68	34	5	M5	25	
	TPC-RS53X43H	25	750	46	41	53	64	87	43	5	M5	51	
	TPC-RS56X46H	66.5	1,995	98	37	56	68	88	46	6	M6	80	
	TPC-RS64X46H	81.5	2,445	106	42	64	79	102	46	6	M6	105	
	TPC-RS69X51H	124	3,720	206	46	69	86	109	51	6	M6	146	
	TPC-RS69X67H	158	4,740	261	46	69	86	111	67	8	M8	190	
	TPC-RS77X82H	228	6,840	342	50	77	95	124	82	8	M8	266	
TPC-RS84X81H	290	8,700	427	56	84	102	133	81	8	M8	319		
MEDIUM	TPC-RS25X13M	1.2	36	1.8	17	25	28	38	13	5	M5	6	
	TPC-RS32X19M	2.3	69	5.4	21	32	37	50	19	5	M5	13	
	TPC-RS37X20M	3.5	105	8.1	25	37	42	58	20	5	M5	17	
	TPC-RS44X35M	5.8	174	8.3	34	44	50	68	35	5	M5	26	
	TPC-RS55X43M	12	360	17	43	55	63	87	43	5	M5	51	
	TPC-RS59X46M	23	690	33	40	59	66	88	46	6	M6	77	
	TPC-RS67X46M	34.5	1,035	43	46	67	76	102	46	6	M6	104	
	TPC-RS73X51M	45	1,350	74	50	73	83	109	51	6	M6	142	
	TPC-RS73X67M	68	2,040	92	50	73	85	111	67	8	M8	206	
	TPC-RS83X83M	92	2,760	122	57	83	93	124	83	8	M8	297	
TPC-RS88X81M	115	3,450	146	60	88	100	133	81	8	M8	335		