

INDUSTRIAL SHOCK ABSORBERS POWERSTOP

THREAD M25X1.5

► SERIES

PowerStop®



- | | | | |
|--|---------------------|----------------------------------|------------------------|
| ► Standard Energy pressure max. (abs.) | 1 [bar] | ► Locknut tightening torque max. | 60 [Nm] |
| ► High Energy pressure max. (abs.) | 10 [bar] | ► Force in end position max. | 17 [kN] |
| ► Adjustable Energy pressure max. (abs.) | 10 [bar] | ► Material | Stainless steel |
| ► Angle of Impact max. | 2 [°] | ► Material fixed stop | Aluminum nickel plated |
| ► Max. piston return time | N: 0.4 / L: 0.6 [s] | ► PWIS-free | Yes |
| ► Permitted temperature range | -10 ... +70 [°C] | ► RoHS compliant | Yes |
| ► Organic oil (biodegradable) | H1-certified | ► REACH compliant | Yes |

► TECHNICAL DATA

	Design	Series	Thread	Stroke variant	Stroke [mm]	Hardness degree	Impact velocity			Energy absorption max.			Protection	Return force		Head	Version
							min. max.		per stroke	per hour	per stroke	min.		max.			
							[m/s]								[J]		
STANDARD ENERGY	P	SE	25X15	N	25	H	0,1	1,2	105	120.000	105	D	11	26	D	-A	
							M	0,8	2,2	105	120.000	105	A	11	26		S
							S	1,8	3,5	105	120.000	105	F	11	26		K
							W	3	5	105	120.000	105	B	11	95		K
HIGH ENERGY	P	HE	25X15	N	25	H	0,1	1,2	230	120.000	400	D	26	45	D	-A	
							M	0,8	2,2	210	120.000	330	A	26	45		S
				L	40	H	S	1,8	3,5	190	120.000	260	F	26	45		K
							W	3	5	170	120.000	190	B	26	115		K
ADJUSTABLE ENERGY	P	AE	25X15	N	25	H	0,1	5	230	120.000	230	D	26	45	D	-A	
												A	26	45	S		
				L	40	H	F	26	45	K							
							B	26	115	K							

► HOW TO ORDER CORRECTLY

P HE 25X15 L H A K -A



Product finder

- Calculate shock absorbers quicker
- Clearly arranged selection guide
- Smart solution – available on mobile devices

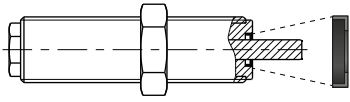
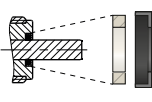
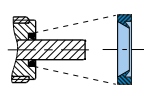
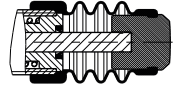
www.zimmer-group.de/en/pdti

Example order no.

PowerStop High Energy 25X15

- Stroke variant: long (L)
- Hardness degree: Hard (H)
- Protection: wiper (A)
- Head: plastic head (K)

PROTECTION

no protection	Felt ring	Wiper (NBR)	Bellow (TPE)
D -A	F -A	A -A	B -A
			
in a clean environment	against dust, chips, ...	against liquid, oil, ...	on request sealed

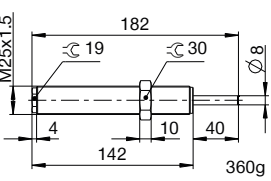
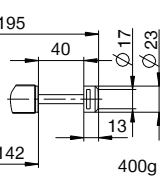
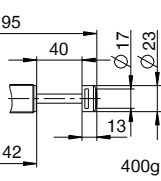
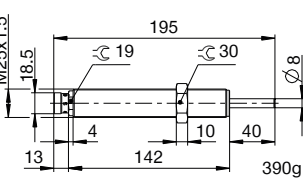
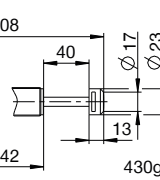
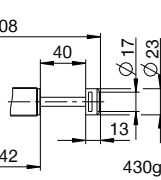
TECHNICAL DRAWINGS – STANDARD STROKE

N  -A

	no head	with steel head	with plastic head	with bellow and steel head	with bellow and plastic head
	D -A	S -A	K -A	B S -A	B K -A
STANDARD ENERGY	 132, 19, 30, 4, 10, 25, 107, 260g, M25x1.5, Ø8	 145, 25, 17, 23, 107, 300g, Ø23	 145, 25, 17, 23, 107, 300g, Ø23	 152, 25, 17, 31, 94.5, 320g, Ø31	 152, 25, 17, 31, 94.5, 320g, Ø31
HIGH ENERGY	 132, 19, 30, 4, 10, 25, 107, 270g, M25x1.5, Ø8	 145, 25, 17, 23, 107, 310g, Ø23	 145, 25, 17, 23, 107, 310g, Ø23	 152, 25, 17, 31, 94.5, 330g, Ø31	 152, 25, 17, 31, 94.5, 330g, Ø31
ADJUSTABLE ENERGY	 145, 19, 30, 4, 10, 25, 107, 300g, M25x1.5, Ø18.5, Ø8	 158, 25, 17, 23, 107, 340g, Ø23	 158, 25, 17, 23, 107, 340g, Ø23	 165, 25, 17, 31, 94.5, 360g, Ø31	 165, 25, 17, 31, 94.5, 360g, Ø31

TECHNICAL DRAWINGS – LONG STROKE

L  -A

	no head	with steel head	with plastic head
	D -A	S -A	K -A
HIGH ENERGY	 182, 19, 30, 4, 10, 40, 142, 360g, M25x1.5, Ø8	 195, 40, 17, 23, 142, 400g, Ø23	 195, 40, 17, 23, 142, 400g, Ø23
ADJUSTABLE ENERGY	 195, 19, 30, 4, 10, 40, 142, 390g, M25x1.5, Ø18.5, Ø8	 208, 40, 17, 23, 142, 430g, Ø23	 208, 40, 17, 23, 142, 430g, Ø23



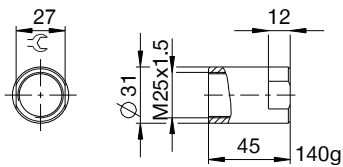
INDUSTRIAL SHOCK ABSORBERS POWERSTOP

THREAD M25X1.5

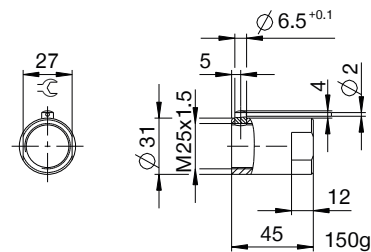
ACCESSORIES

Pos.	Order no.	Accessories	Remarks
①	PAH25X15-A	Stop sleeve	Including 1x PVM25X15-A
②	PSH25X15-A	Sensor stop sleeve	Query only possible via damper with steel or plastic head (except for bellows). Inductive sensor, PNP closer (NO), PUR cable 2 m, degree of protection IP65. For further information see separate data sheet.
③	PBV25X15NA-A	Side load adapter standard stroke Protection: wiper (NBR)	Impact angle max. 30°. Can only be used in combination with industrial shock absorbers without head. Locknut PVM33X15-A suitable for external thread of the side load adapter.
④	PBV25X15NF-A	Side load adapter standard stroke Protection: felt ring (felt)	Impact angle max. 30°. Can only be used in combination with industrial shock absorbers without head. Locknut PVM33X15-A suitable for external thread of the side load adapter.
⑤	PBV25X15LA-A	Side load adapter long stroke Protection: wiper (NBR)	Impact angle max. 30°. Can only be used in combination with industrial shock absorbers without head. Locknut PVM33X15-A suitable for external thread of the side load adapter.
⑥	PBV25X15LF-A	Side load adapter long stroke Protection: felt ring (felt)	Impact angle max. 30°. Can only be used in combination with industrial shock absorbers without head. Locknut PVM33X15-A suitable for external thread of the side load adapter.
⑦	PKS25X15-A	Clamping flange orthogonal screwed	Tightening torque of the screws max. 22 Nm.
⑧	PKP25X15-A	Clamping flange screwed in parallel	Tightening torque of the screws max. 22 Nm.
⑨	PVM25X15-A	Stainless steel locknut	Included with the industrial shock absorber.
⑩	PDD25X15-A	Pressure chamber seal	Recommended fixation with PVM25X15-A. Seal must be in full contact on both sides.

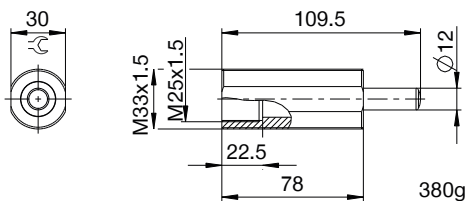
①



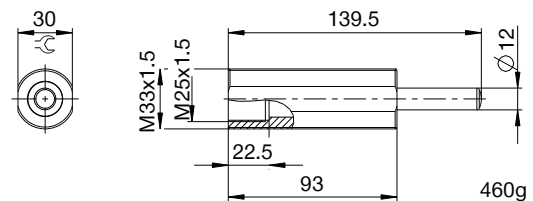
②



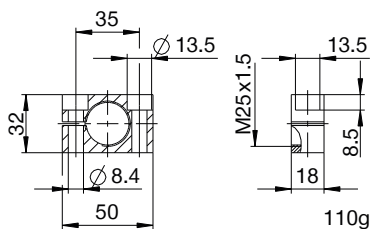
③ ④



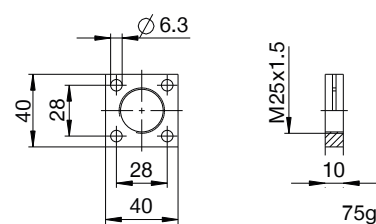
⑤ ⑥



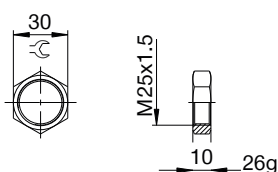
⑦



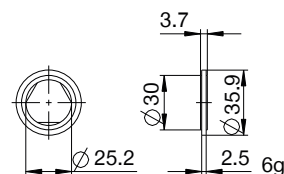
⑧



⑨



⑩



▶ CLASSIFICATION

P **HE** **25X15** **L** **H** **A** **K** **-A**

Design

P Industrial shock absorbers PowerStop

Series

ME Mini Energy

SE Standard Energy

HE High Energy

AE Adjustable Energy

Thread

25 Thread nominal diameter

X

15 Thread pitch (factor 10)

Stroke variant

N Standard stroke

L Long stroke

V Extra long stroke

Hardness degree

H Hard (0.1 - 1.2 m/s; Adjustable Energy: 0.1 - 5 m/s)

M Medium (0.8 - 2.2 m/s)

S Soft (1.8 - 3.5 m/s)

W Supersoft (3 - 5 m/s)

Protection

D no protection

F Felt ring

A Wiper (NBR)

B Bellow (TPE)

Head

D no head

S with steel head

K with plastic head

Version

-A Versioning from a to z