

CLAMPING ELEMENTS | MANUAL

SERIES HKR

▶ PRODUCT ADVANTAGES



- ▶ **Independent of the manufacturer**
For circular guides and shaft guides
- ▶ **Tool-free opening and closing (bi-stable)**
By turning the clamping lever
- ▶ **Maintenance free**
Up to 50,000 static clamping cycles

▶ THE BEST PRODUCT FOR YOUR APPLICATION

APPLICATION SCENARIOS

- ▶ **Table traverses in wood industry**
- ▶ **Adjustment of width in plastics processing**
- ▶ **Positioning of optic instruments and measuring tables**

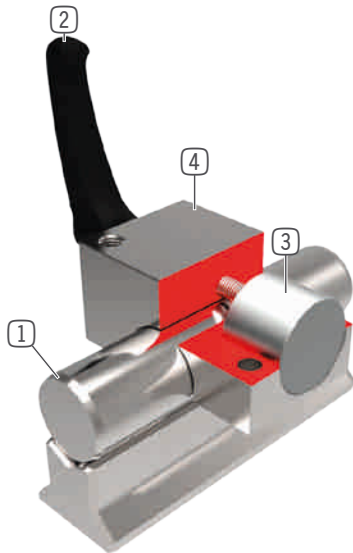
FURTHER INFORMATION

- ▶ **Special variants on request, e.g.**
Operation using DIN 912 Allen screws
Extended clamping lever
made of stainless steel

TECHNICAL DATA

Shaft diameter	12-60 mm
Holding force	1200 - 2000 N
Fastening torque clamp lever	5-17 Nm
Spring storage	inexistent
Static clamping cycles (B10d value)	up to 50 000
Dynamic braking cycles	not suitable
Operation	manual
Operating temperature	-10 ... +70 [°C]
Shaft tolerance	+/- 0,01 mm
Hardness	min. 54 HRC

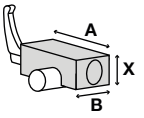
► BENEFITS IN DETAIL



- ① **Circular guide**
- Compatible with circular and shaft guides
- ② **Clamping lever made from plastic**
- Freely adjustable (release by lifting)
- ③ **Clamping jaw**
- The floating bearings guarantee symmetrical application of force
- ④ **Housing**
- chemically nickel plated steel

► TECHNICAL DATA

► SERIES HKR CLAMPING N (BISTABLE) REMAINS IN CURRENT POSITION



Order no.	Shaft Ø* [mm]	Holding force [N]	Holding torque [Nm]	Max. tightening torque [Nm]	A [mm]	B [mm]	X [mm]
HKR1200A	12	1200	7	5	43	32	18
HKR1600A	16	1200	9.5	5	53	38	22
HKR2000A	20	1200	12	7	60	44	25
HKR2500A	25	1200	15	7	78	52	30
HKR3000A	30	2000	30	12	87	58	35
HKR4000A	40	2000	40	17	108	68	45
HKR5000A	50	2000	50	17	132	76	50
HKR6000A	60	2000	60	17	157	76	60

*Min. hardness of 54 HRC