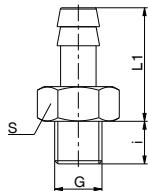


VALVES, FITTINGS, ACCESSORIES

FITTINGS

► SERIES GV - STRAIGHT FITTINGS - BARB-STYLE CONNECTION

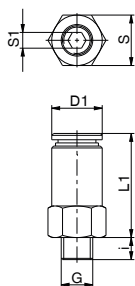


- For assembling with hose clips
- Straight version

Order no.	► Technical data				
	GVM3	GV1-8X5ID	GV1-8X6ID	GV1-8X8ID	GV1-4X8ID
Fixing thread	M3	G1/8"	G1/8"	G1/8"	G1/4"
Inside-Ø for hose [mm]	2	5	6	8	8
Length [mm]	9.9	30	30	30	32.5
Dimension i [mm]	2.7	6	6	6	8
Dimension L1 [mm]	7.2	24	24	24	24.5
S [mm]	4.5	13	13	13	17

Order no.	► Technical data			
	GV1-4X10ID	GV3-8X13ID	GV1-2X13ID	GV1-2X16ID
Fixing thread	G1/4"	G3/8"	G1/2"	G1/2"
Inside-Ø for hose [mm]	10	13	13	16
Length [mm]	32.5	33.5	35	39.5
Dimension i [mm]	8	9	10	10
Dimension L1 [mm]	24.5	24.5	25	29.5
S [mm]	17	19	24	24

► SERIES GV - STRAIGHT FITTINGS - QUICK CONNECT STYLE

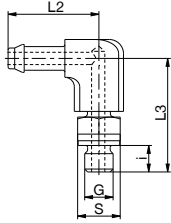


- Cost reduction through quick assembly and disassembly
- Straight version

Order no.	► Technical data					
	GVM5	GV1-8X4	GV1-8X6	GV1-8X8	GV1-4X6	GV1-4X8
Fixing thread	M5	G1/8"	G1/8"	G1/8"	G1/4"	G1/4"
Length [mm]	20	19	20	25	21.5	23
Dimension i [mm]	3.5	5	5	5	7	7
Dimension L1 [mm]	16.5	14	15	20	14.5	16
Dimension D1 [mm]	8	10	12	14	12	14
S1 [mm]	2.5	3	4	5	4	6
S [mm]	8	13	13	14	17	17



► SERIES WV - ANGLED FITTING, BARB STYLE CONNECTION



- For assembling with hose clips
- Angled version

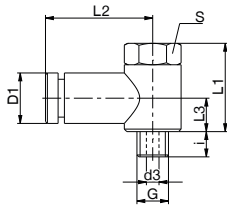
► Technical data

Order no.

WVM3

Fixing thread	M3
Inside-Ø for hose [mm]	2
Dimension i [mm]	2.7
Dimension L2 [mm]	13.3
Dimension L3 [mm]	11.4
S [mm]	4.5

► WV SERIES - ANGLED FITTINGS- QUICK CONNECT STYLE



- Cost reduction through quick assembly and disassembly
- Angled and swivel-mounted

► Technical data

Order no.

WVM5 WV1-8X4 WV1-8X6 WV1-8X8 WV1-4X6 WV1-4X8

Fixing thread	M5	G1/8"	G1/8"	G1/8"	G1/4"	G1/4"
Dimension i [mm]	4	6.5	6.5	6.5	8	8
Dimension L1 [mm]	14	20	20	20	21	21
Dimension L2 [mm]	17	20.5	21.5	23.5	23.5	25.5
Dimension L3 [mm]	5.3	8	8	8	8	8
Dimension d3 [mm]	2	5	5	5	7	7
Dimension D1 [mm]	8	10	12	14	12	14
S [mm]	8	14	14	14	17	17



VALVES, FITTINGS, ACCESSORIES

FITTINGS

► SERIES GV - STRAIGHT FITTINGS - BARB-STYLE CONNECTION



- For assembling with hose clips
- Straight version

Order no.	► Technical Data				
	GVM3	GV1-8X5ID	GV1-8X6ID	GV1-8X8ID	GV1-4X8ID
Fixing thread	M3	1/8"	1/8"	1/8"	1/4"
Inside-Ø for hose [mm]	3	5	6	8	8
Length [mm]	9.9	30	30	30	32.5

Order no.	► Technical Data			
	GV1-4X10ID	GV3-8X13ID	GV1-2X13ID	GV1-2X16ID
Fixing thread	1/4"	3/8"	1/2"	1/2"
Inside-Ø for hose [mm]	10	13	13	16
Length [mm]	32.5	33.5	35	39.5

► SERIES GV - STRAIGHT FITTINGS - QUICK CONNECT STYLE



- Cost reduction through quick assembly and disassembly
- Straight version

Order no.	► Technical Data					
	GVM5	GV1-8X4	GV1-8X6	GV1-8X8	GV1-4X6	GV1-4X8
Fixing thread	M5	1/8"	1/8"	1/8"	1/4"	1/4"
Outside-Ø for hose [mm]	4	4	6	8	6	8
Length [mm]	20	19	20	25	21.5	23

► **SERIES WV - ANGLED FITTING, BARB STYLE CONNECTION**



- For assembling with hose clips
- Angled version

► **Technical Data**

Order no.	WVM3
Fixing thread	M3
Inside-Ø for hose [mm]	3

► **WV SERIES - ANGLED FITTINGS- QUICK CONNECT STYLE**



- Cost reduction through quick assembly and disassembly
- Angled and swivel-mounted

► **Technical Data**

Order no.	WVM5	WV1-8X4	WV1-8X6	WV1-8X8	WV1-4X6	WV1-4X8
Fixing thread	M5	1/8"	1/8"	1/8"	1/4"	1/4"
Outside-Ø for hose [mm]	4	4	6	8	6	8

VALVES, FITTINGS, ACCESSORIES

VALVES

► SERIES DRV - FLOW CONTROL VALVES - WITH SWIVEL JOINT



- Configurable flow control valves for regulating the exhaust air
- Optimal for regulating the speeds during piston movements
- Angled version

Order no.	► Technical Data			
	DRVM5X4	DRV1-8X6	DRV1-8X8	DRV1-4X8
Fixing thread	M5	1/8"	1/8"	1/4"
Outside-Ø for hose [mm]	4	6	8	8
Length [mm]	25.5	35	35	38.5
Operating pressure [bar]	0.2 / 10	0.2 / 10	0.2 / 10	0.2 / 10
Operating temperature [°C]	5 ... 80	5 ... 80	5 ... 80	5 ... 80

► DRV SERIES - FLOW CONTROL VALVES - INLINE



- Configurable flow control valves for regulating the exhaust air
- Optimal for regulating the speeds during piston movements

Order no.	► Technical Data	
	DRV1-4I	DRV1-8I
Fixing thread	1/4"	1/8"
Length [mm]	58	48
Operating pressure [bar]	0.2 / 10	0.2 / 10
Operating temperature [°C]	5 ... 80	5 ... 80

► SERIES DSV - PRESSURE SAFETY VALVE



- For maintaining the position of a double-acting cylinder if the operating pressure drops
- The valve consists of 2 check valves that are unlocked pneumatically

► Technical Data

Order no.	DSV1-8
Nominal diameter [mm]	4
Operating pressure [bar]	0.5 / 10
Operating temperature [°C]	0 ... +80

► SERIES DEV - QUICK EXHAUST VALVE



- For higher piston speeds for cylinders
- To bring about quick-action ventilation, the valve must be installed as close to the cylinder's air connection as possible

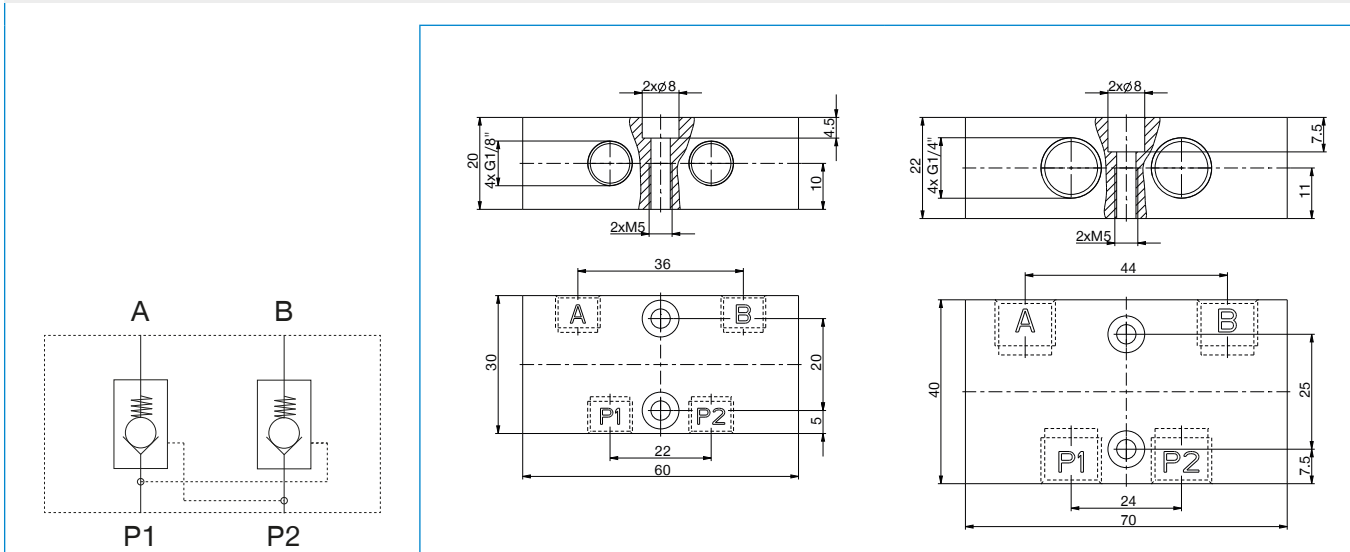
► Technical Data

Order no.	DEV04	DEV06	DEV08
Outside-Ø for hose [mm]	4	6	8
Operating pressure max. [bar]	10	10	10
Operating temperature [°C]	-5 ... +50	-5 ... +50	-5 ... +50

VALVES, FITTINGS, ACCESSORIES

VALVES

► SERIES DSV - PRESSURE SAFETY VALVE

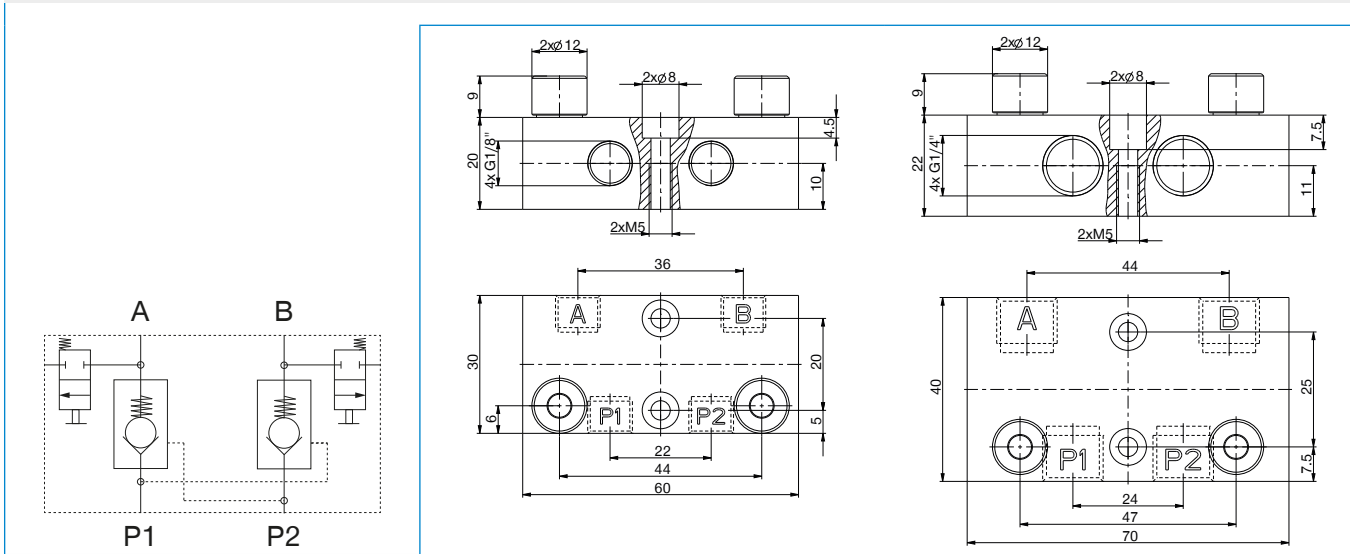


► Technical data

Order no.	DSV1-8	DSV1-4
Fixing thread	G1/8"	G1/4"
Quick Exhaust	No	No
Nominal diameter [mm]	4	7
Nominal flow rate A-P1	360	1000
Nominal flow rate B-P2	360	1000
Nominal flow rate P1-A	230	650
Nominal flow rate P2-B	230	650
Operating pressure [bar]	1 ... 10	1 ... 10
Operating temperature [°C]	-10 ... +70	-10 ... +70
Weight [kg]	0.1	0.2



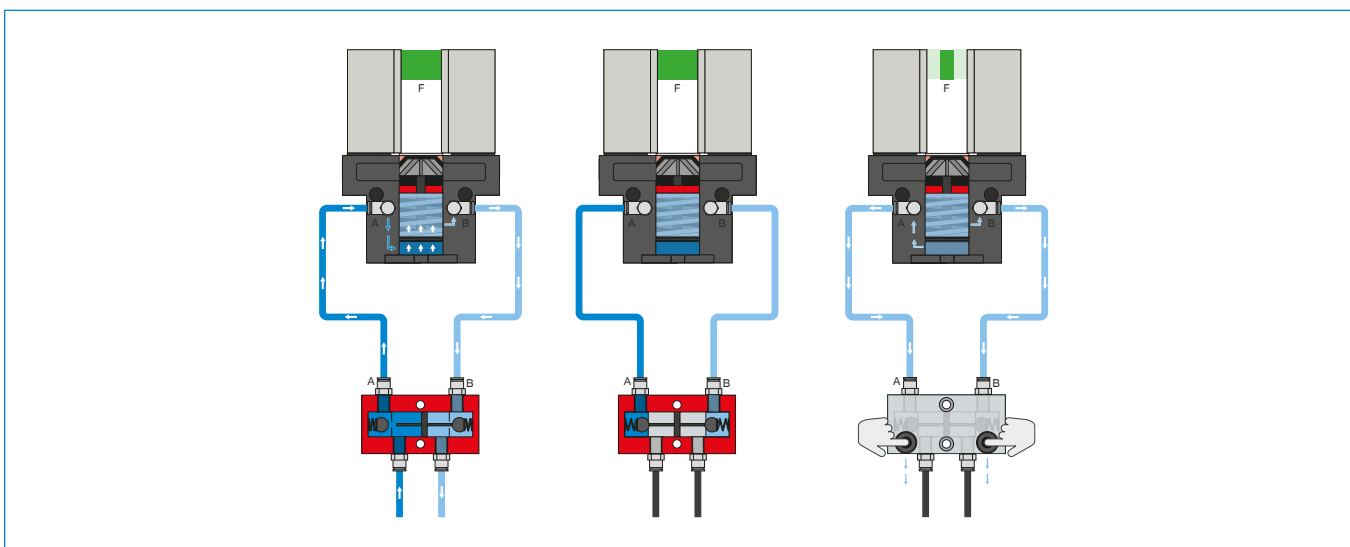
► DSV SERIES – PRESSURE SAFETY VALVES WITH QUICK EXHAUST



► Technical data

Order no.	DSV1-8E	DSV1-4E
Fixing thread	G1/8"	G1/4"
Quick Exhaust	Yes	Yes
Nominal diameter [mm]	4	7
Nominal flow rate A-P1	360	1000
Nominal flow rate B-P2	360	1000
Nominal flow rate P1-A	230	650
Nominal flow rate P2-B	230	650
Operating pressure [bar]	1 ... 10	1 ... 10
Operating temperature [°C]	-10 ... +70	-10 ... +70
Weight [kg]	0.1	0.2

► FUNCTIONAL DESCRIPTION DSV



Pressure safety valve – DSV

Ensures safe retention of force and position if the system pressure drops

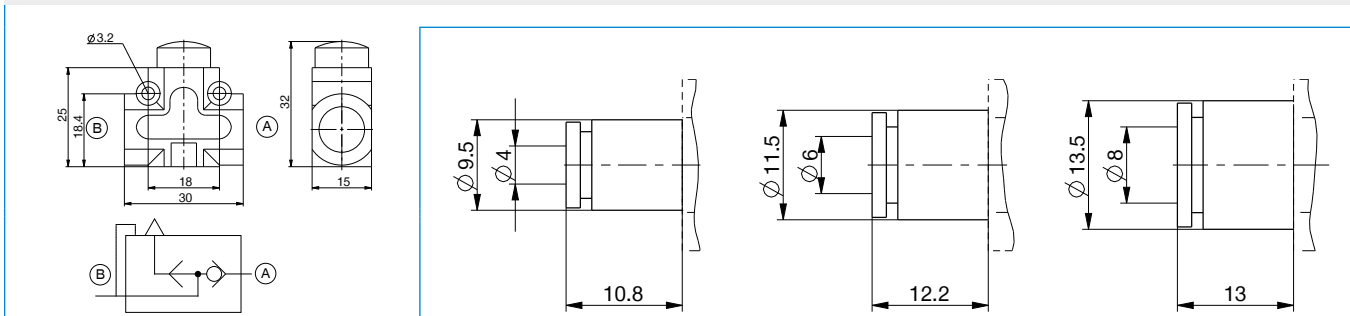
The integrated double check valve, which can be unlocked, retains the system pressure of the gripper in case of EMERGENCY STOP. To ensure the function, the valve must be installed as close to the gripper's air connection as possible. In variant E, two pushbuttons are installed that allow for controlled bleeding of the gripper.



VALVES, FITTINGS, ACCESSORIES

VALVES

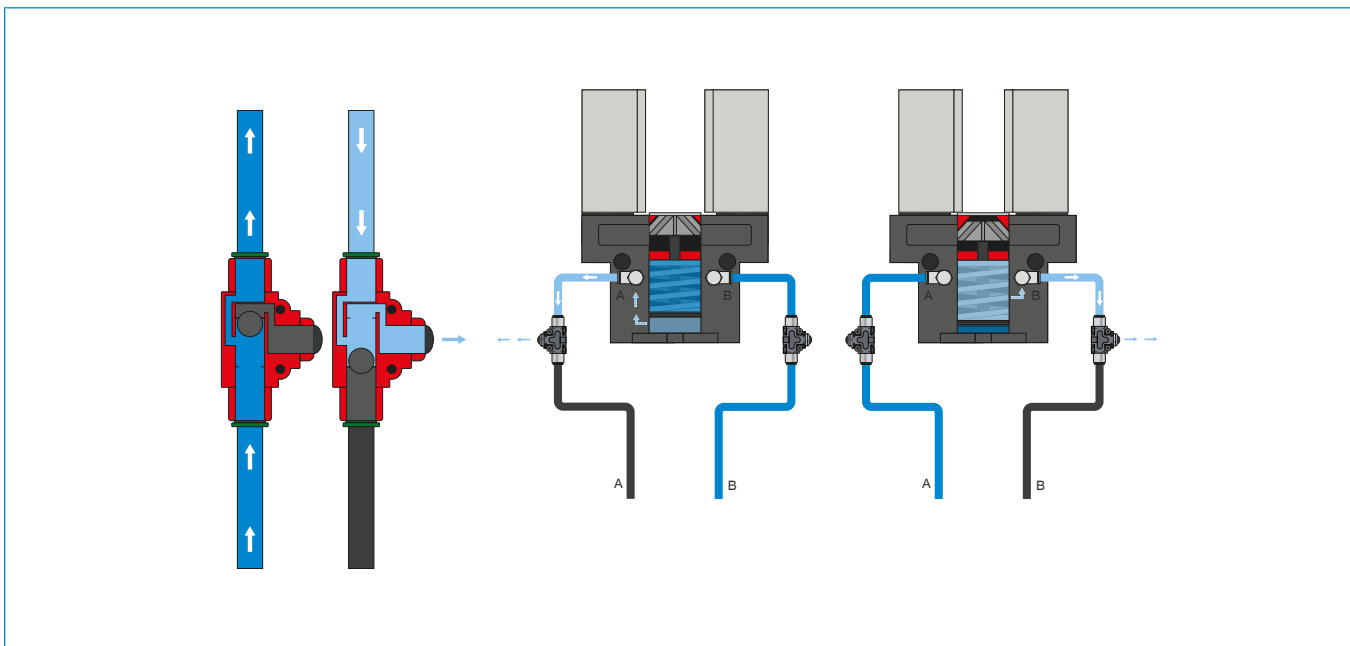
► SERIES DEV - QUICK EXHAUST VALVE



► Technical data

Order no.	DEV04	DEV06	DEV08
Outside-Ø for hose [mm]	4	6	8
Operating pressure max. [bar]	10	10	10
Nominal operating pressure [bar]	6	6	6
Operating temperature [°C]	-5 ... +50	-5 ... +50	-5 ... +50
Flow in the case of aeration	250	250	250
Flow in the case of ventilation	500	500	500
Weight [kg]	0.015	0.015	0.015

► FUNCTIONAL DESCRIPTION DEV



Quick exhaust valve – DEV

For rapid bleeding of the compressed air and preventing back pressure

The inline valves make a faster cycle time possible and prevent the formation of condensate in grippers with a small cylinder volume. To ensure the function, the valve must be installed as close to the gripper's air connection as possible.

