

PNEUMATIC ROTARY MANIFOLDS

DV4N-B

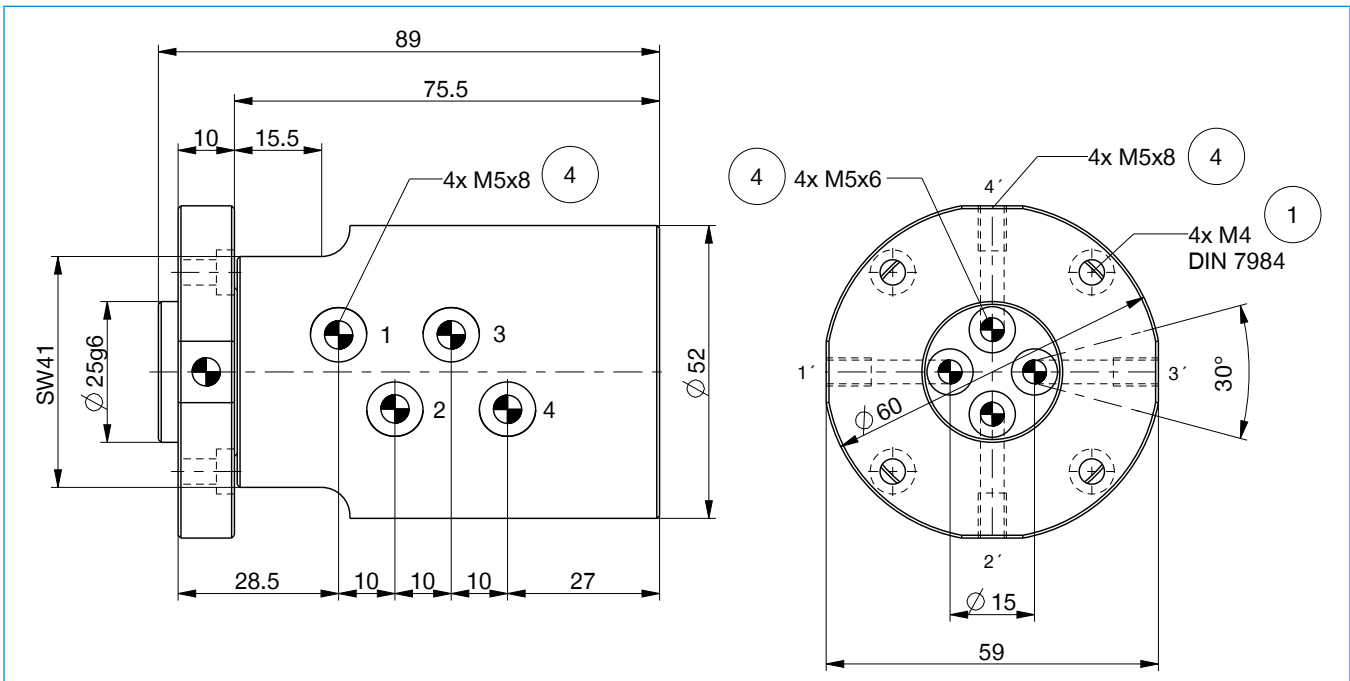
▶ PRODUCT SPECIFICATIONS



▶ available with 4 pneumatic feedthroughs

▶ Technical Data

Order no.	DV4N-B
Air feed-through [Quantity]	4
Maximum acceleration [m/s^2]	22
Maximum speed [$^\circ/s$]	720
Axial bearing load [N]	1300
Radial bearing load [Nm]	156
Operating pressure max. [bar]	10
Operating temperature [$^\circ C$]	5 ... 80
Weight [kg]	0.55



① Rotary distributor attachment

④ pneumatic feed-through